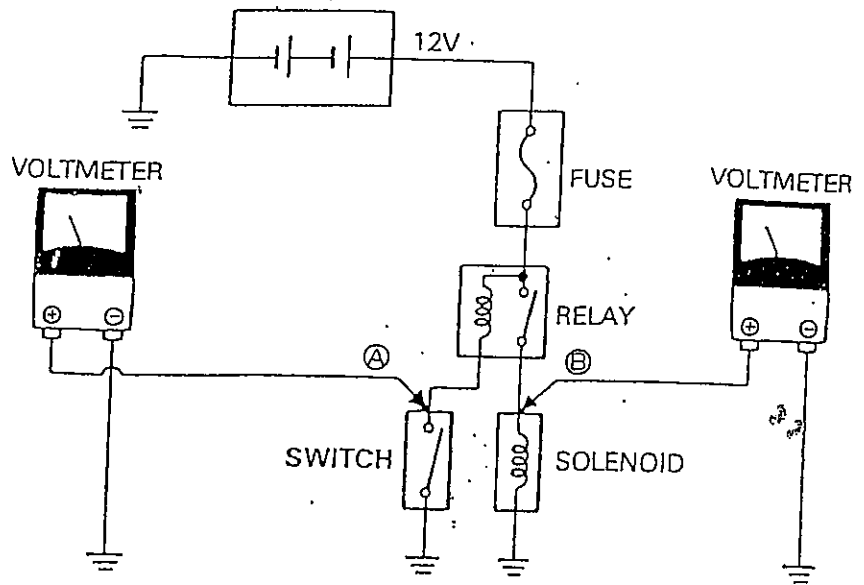


FIGURE 9-4

- E.
 43. - Given the situation pictured in figure 9-4, what is the recommended service action?
- replace the battery
 - no action required; situation is normal
 - check the charging system
 - clean the battery cable connector



44. - When the switch is off, what will be the voltage reading at point A?
- 0v
 - 6v
 - 12v
45. - When the switch is on, what will be the voltage reading at point A?
- 0v
 - 6v
 - 12v